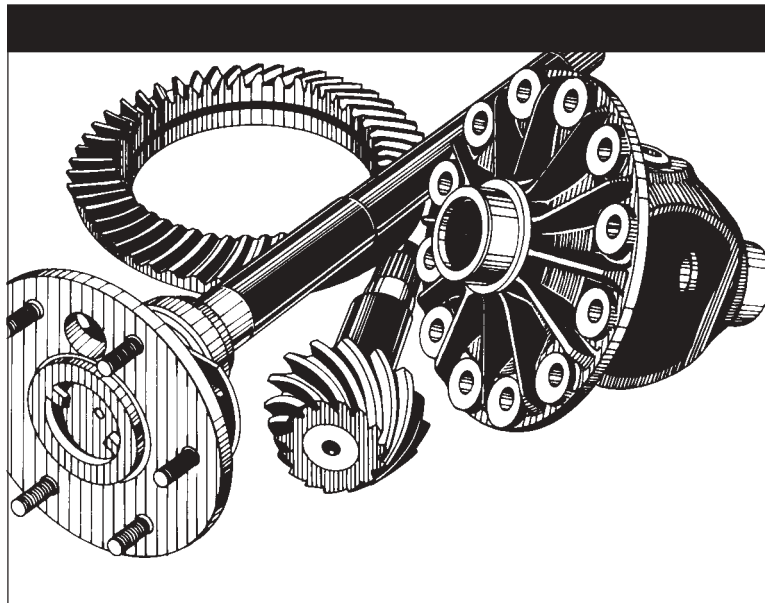




**FRONT & REAR AXLE KIT
MISCELLANEOUS MODELS
1979-1984**



X510-7

FEBRUARY 1999

Supersedes X510-7DSD
dated December 1984



People Finding A Better Way[®]

Table of Contents

General Information	1
Axle Kits	2
Model 44 /216 Rear 1979-1985 Avanti Sports Car	4-6
Exploded View	4
Parts Listing	5
Variable Parts Listing	5
Bill of Material Listing	6
Model 44 /216 Rear 1979-1983 Checker Cab	7-9
Exploded View	8
Parts Listing	9
Bill of Material Listing	9
Model 30 /181 Front 1979-1980 Converter	11-14
Exploded View	12
Parts Listing	13
Bill of Material Listing	14
Model 44 /216 Front 1979-1980 Converter	15-20
Exploded View	16
Parts Listing	17
Bill of Material Listing	18-19
Variable Parts Listing	20
Model 44 /216 ICA 1980-1985 Excalibur	21-23
Exploded View	22
Bill of Material Listing	22
Parts Listing	23
Variable Parts Listing	23

General Information

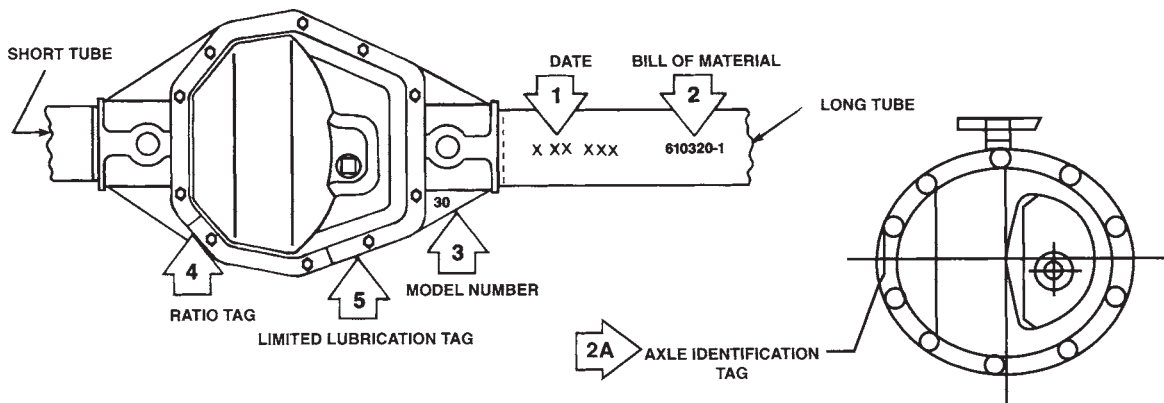
How To Identify A Spicer Axle

All Spicer Carrier Type axles are identified with a manufacturing date (1) and Bill of Material number (2) stamped on the right or left hand tube on driving axles. The Bill of Material number may also be found on the carrier in some models as shown in illustration (2A). For independent front suspension (IFS) axles, the B/M number may be located at one of three locations: 1). A vertically positioned tag near the center of the right hand side support arm, 2) stamped into the left hand side support arm (opposite end of the camber adjuster), or 3) stamped into the "nose end" of the axle carrier. The location of the information will depend on the manufacturing date of the axle.

The axle model number will be cast into one of the webs as shown (3), or it can be on the nose.

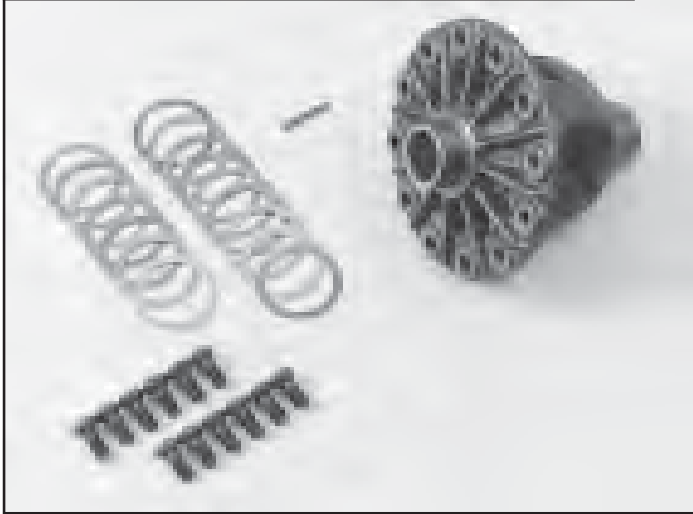
Each axle contains a gear ratio tag (4), and if the axle is equipped with a limited slip differential, it will have a tag specifying the type of limited slip lubricant to be used (5).

Refer to the appropriate model number section for parts identification and a breakdown of the Bill of Material.



Light Axle Kits

DIFFERENTIAL CASE KIT



SHAFT ASSEMBLY KIT



DRIVE PINION & GEAR ASSEMBLY KIT



DIFFERENTIAL CASE ASSEMBLY KIT



CARRIER COVER KIT



DIFFERENTIAL INNER PARTS KIT

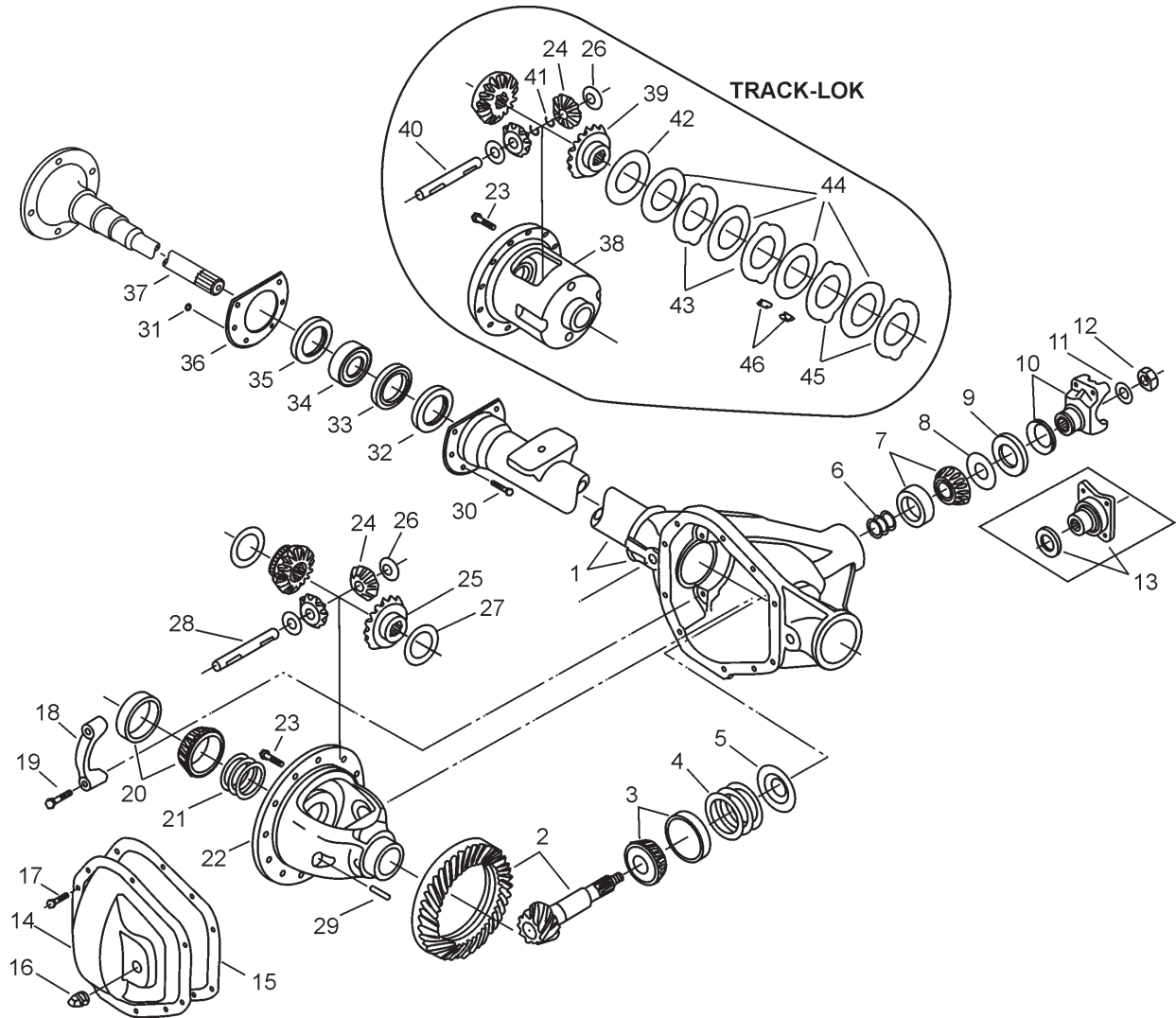


X510-7

Model 44 /216 Rear Axles for

Avanti Sports Car

Model 44 /216 Rear Axles - Avanti Exploded View



Model 44 /216 Rear Axles - Avanti Parts Listing

ITEM NO.	PART NUMBER	DESCRIPTION	ITEM NO.	PART NUMBER	DESCRIPTION
1	— ⁽³⁾	Carrier	24	—	Pinion – Differential
2	— ⁽¹⁾	Drive Pinion & Gear Assembly	25	—	Gear – Differential
3	— ⁽²⁾	KIT – Inner Pinion Bearing	26	—	Thrustwasher – Differential Pinion
	— ⁽²⁾	PKG – Pinion Shim	27	—	Thrustwasher – Differential Gear
		(inc. items 4, 5, 6, 8)	28	—	Shaft – Differential Pinion
	— ⁽²⁾	PKG – Differential & Pinion Shim	29	—	Lock – Differential Shaft
		(inc. items 4, 5, 6, 8, 21)	30	—	Bolt – Brake Mounting
4	—	Shim – Drive Pinion Adjusting	31	—	Nut – Brake Mounting
5	—	Shim – Pinion Bearing Adjusting		— ⁽²⁾	KIT – Rear Axle Shaft
6	—	KIT – Outer Pinion Bearing			(inc. items 32, 33, 34, 35, 36, 37)
7	— ⁽²⁾			— ⁽²⁾	KIT – Unit Bearing & Seal
8	—	Slinger – Outer Pinion Bearing			(inc. items 32, 33, 34, 35, 36)
9	—	Seal – Pinion Oil	32	—	Seal – Inboard Shaft
10	— ⁽²⁾⁽⁵⁾	End Yoke Assembly	33	—	Retainer Ring – Wheel Bearing
11	—	Washer – Pinion Nut	34	—	Wheel Bearing Assembly
12	—	Pinion Nut	35	— ⁽³⁾	Seal – Outboard Shaft
13	— ⁽⁵⁾	Companion Flange Assembly	36	—	Retainer – Oil Seal
	— ⁽²⁾	KIT – Carrier Cover	37	—	Shaft – Axle Flanged Drive
14	—	Carrier Cover	38	— ⁽¹⁾	Case – Differential
15	—	Gasket – Carrier Cover	39	—	Gear – Differential
16	—	Plug – Carrier Cover	40	—	Shaft – Differential
17	—	Bolt – Carrier Cover (qty 10)	41	—	Snap Ring
18	— ⁽³⁾	Cap – Differential Bearing	42	—	Spacer– Differential Gear (dished)
19	— ⁽³⁾	Bolt – Differential Bearing Cap	43	—	Plate– Differential
20	— ⁽²⁾	KIT – Differential Bearing	44	—	Disc – Differential
21	— ⁽²⁾	PKG – Differential Bearing Shim	45	—	Plate– Diff. (selective thickness)
22	— ⁽¹⁾	Case – Differential	46	—	Clip – Differential Clutch Retainer
23	—	Bolt – Drive Gear (qty 10)			

(1) See "Bill of Material Table"

(2) See "Variable Parts Table"

(3) Contact Vehicle Manufacturer.

(4) Not Sold Separately.

(5) See Spicer U-Joint Catalog J300P-10 for part number and additional parts.

Variable Parts Listing

Kits & Parts - Use With All Applications							
Description & Item Number (Refer to "Exploded View")				Bills of Material			
				603894	605113	605220	
1	KIT – Inner Pinion Bearing	3	706031X	706031X	706123X		
2	PKG – Pinion Shim	-	706358X	706358X	—		
3	PKG – Differential & Pinion Shim	-	706376X	706376X	—		
4	KIT – Outer Pinion Bearing	7	706030X	706030X	706996X		
5	End Yoke Assembly	10	2-4-2281X	2-4-2281-1X	2-4-3801-1X		
6	KIT – Differential Bearing	20	706032X	706032X	706988X		
7	PKG – Differential Bearing Shim	21	706086X	706086X	701005X		
8	KIT – Carrier Cover	-	706694X	706694X	—		
9	KIT – Rear Axle Shaft	-	706550X	706550X	707018X		
10	KIT – Unit Bearing & Seal	-	706012	706012X	—		

Model 44 /216 Rear Axles - Avanti

Bill of Material Listing

Axle			Axle Kits				Shaft & Joint Assy.	
Bill of Material	Diff. Type	Ratio	Ring Gear & Pinion Kit ⁽⁶⁾	Differential			Right Hand Shaft Assy.	Left Hand Shaft Assy.
				Case Assy. Kit ⁽⁷⁾	Case Kit	Inner Parts Kit		
1979-82 Avanti Sports Car								
603894-1	Standard	3.31	706017-2X	706020X	706024X	706027X	27665X	27665X
603894-2	Trac Lok	3.31	706017-2X	706018X	706022X	706026X	27665X	27665X
603894-3	Standard	3.07	706017-1X	706020X	706024X	706027X	27665X	27665X
603894-4	Trac Lok	3.07	706017-1X	706018X	706022X	706026X	27665X	27665X
603894-5	Standard	2.72	706017-19X	706020X	706024X	706027X	27665X	27665X
603894-6	Trac Lok	2.72	706017-19X	706018X	706022X	706026X	27665X	27665X
1983-84 Avanti Sports Car								
605113-1	Standard	2.87	706613-15X	706020X	706024X	706027X	27665X	27665X
605113-2	Trac Lok	2.87	706613-15X	706018X	706022X	706026X	27665X	27665X
605113-3	Standard	3.07	706017-1X	706020X	706024X	706027X	27665X	27665X
605113-4	Trac Lok	3.07	706017-1X	706018X	706022X	706026X	27665X	27665X
1985 Avanti Sports Car								
605220-1	Trac Lok	2.72	72622-5X	72400X	41210	707000X	72404-1X	72404-2X
605220-2	Trac Lok	3.07	72603-5X	72405X	41232	707000X	72404-1X	72404-2X
605220-3	Trac Lok	3.31	72602-5X	72405X	41232	707000X	72404-1X	72404-2X

(6) See Ring Gear & Pinion Kits in XGI Catalog for ratio & tooth combinations.

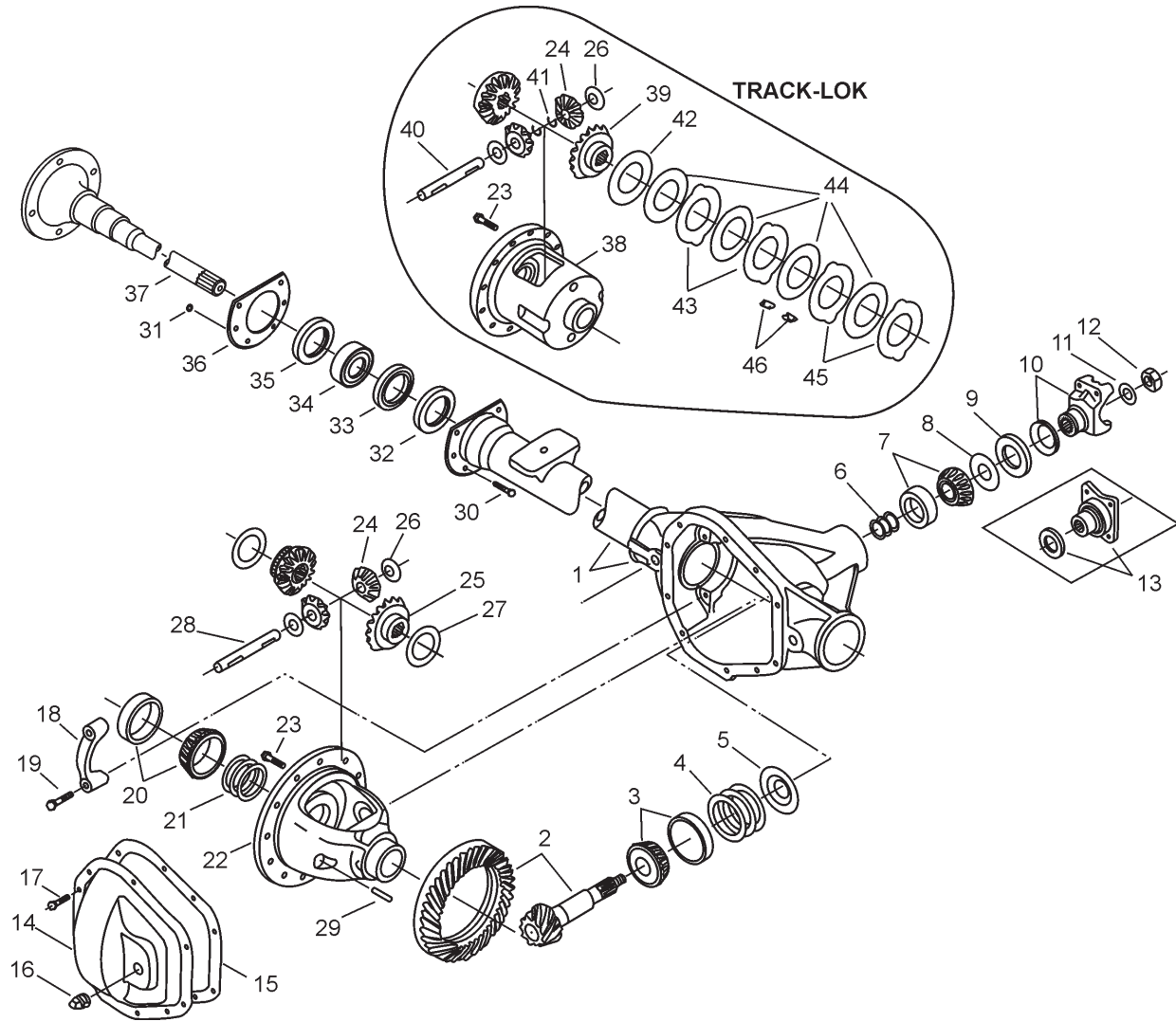
(7) See Differential Case Assy Kits in XGI Catalog for spline data & ratios.

X510-7

Model 44 /216 Rear Axles for

Checker Cab

Model 44 /216 Rear Axles - Checker Cab Exploded View



Model 44 /216 Rear Axles - Checker Cab Parts Listing



ITEM NO.	PART NUMBER	DESCRIPTION	ITEM NO.	PART NUMBER	DESCRIPTION
1	— ⁽³⁾	Housing – Axle Service	24	—	Pinion – Differential
2	— ⁽¹⁾	Drive Pinion & Gear Assembly	25	—	Gear – Differential
3	706031X	KIT – Inner Pinion Bearing	26	—	Thrustwasher – Differential Pinion
	706358X	PKG – Pinion Shim (inc. items 4, 5, 6, 8)	27	—	Thrustwasher – Differential Gear
	706376X	PKG – Differential & Pinion Shim (inc. items 4, 5, 6, 8, 21)	28	—	Shaft – Differential Pinion
4	—	Shim – Drive Pinion Adjusting	29	—	Lock – Differential Shaft
5	—	Baffle – Pinion Bearing	30	—	Bolt – Brake Mounting
6	—	Shim – Pinion Bearing Adjusting	31	—	Nut – Brake Mounting
7	706030X	KIT – Outer Pinion Bearing		706328X	KIT – Rear Axle Shaft (inc. items 32, 33, 34, 35, 36, 37)
8	—	Slinger – Outer Pinion Bearing		706517X	KIT – Unit Bearing & Seal (inc. items 32, 33, 34, 35, 36)
9	—	Seal – Pinion Oil	32	—	Seal – Inboard Shaft
10	2-4-2281X ⁽⁵⁾	End Yoke Assembly	33	—	Retainer Ring – Wheel Bearing
11	—	Washer – Pinion Nut	34	—	Wheel Bearing Assembly
12	—	Pinion Nut	35	— ⁽³⁾	Seal – Outboard Shaft
13	— ⁽⁵⁾	Companion Flange Assembly	36	—	Retainer – Oil Seal
	706694X	KIT – Carrier Cover (inc. 14,15,16,17)	37	—	Shaft – Axle Flanged Drive
14	—	Carrier Cover	38	— ⁽¹⁾	Case – Differential
15	—	Gasket – Carrier Cover	39	—	Gear – Differential
16	—	Plug – Carrier Cover	40	—	Shaft – Differential
17	—	Bolt – Carrier Cover (qty 10)	41	—	Snap Ring
18	— ⁽³⁾	Cap – Differential Bearing	42	—	Spacer– Differential Gear (dished)
19	— ⁽³⁾	Bolt – Differential Bearing Cap	43	—	Plate– Differential
20	706032X	KIT – Differential Bearing	44	—	Disc – Differential
21	706086X	PKG – Differential Bearing Shim	45	—	Plate– Diff. (selective thickness)
22	— ⁽¹⁾	Case – Differential	46	—	Clip – Differential Clutch Retainer
23	—	Bolt – Drive Gear (qty 10)			

- (1) See "Bill of Material Table"
- (2) See "Variable Parts Table"
- (3) Contact Vehicle Manufacturer.
- (4) Not Sold Separately.
- (5) See Spicer U-Joint Catalog J300P-10 for part number and additional parts.

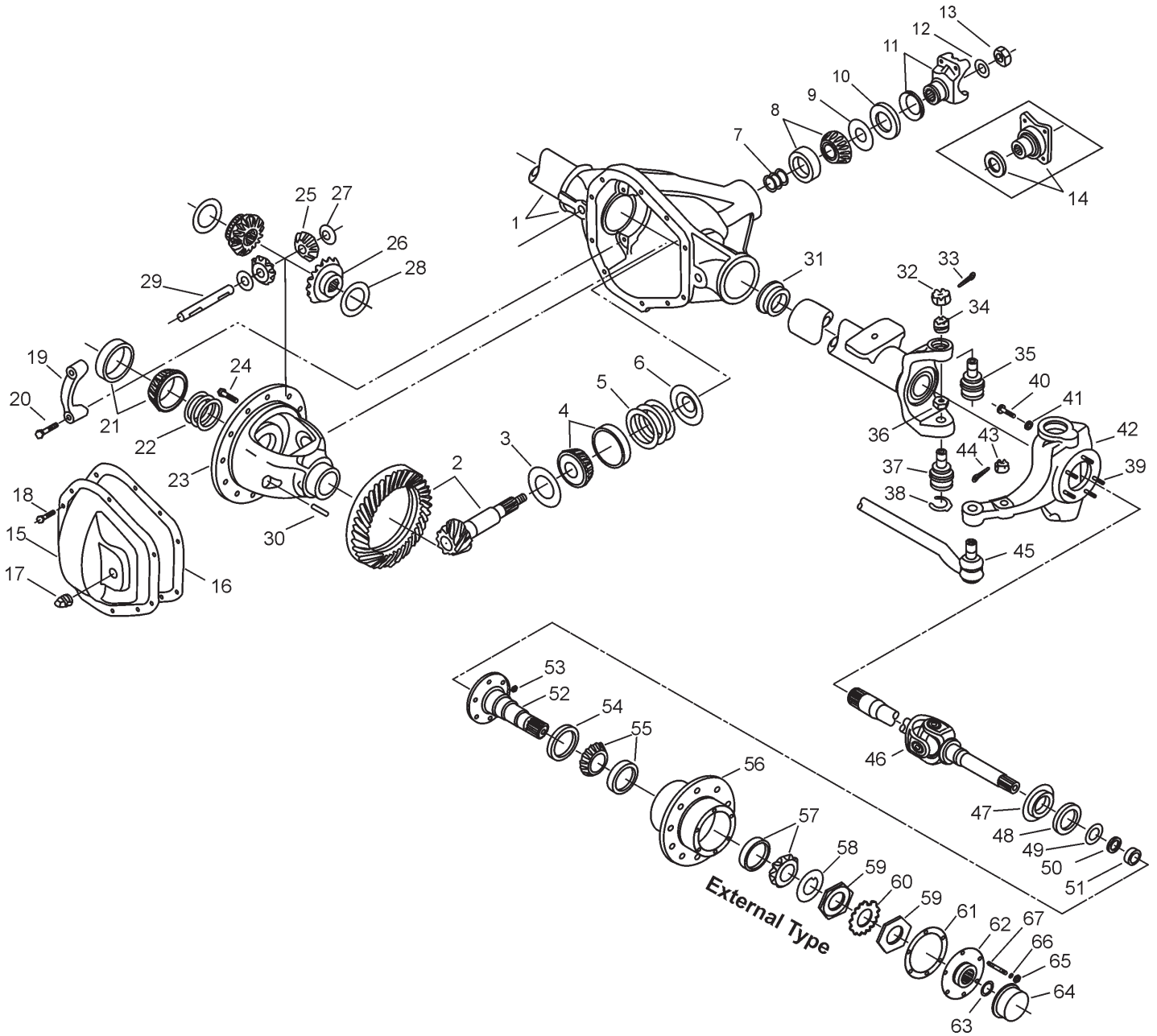
Bill of Material Listing

Bill of Material	Axle		Ring Gear & Pinion Kit ⁽⁶⁾	Axle Kits			Shaft & Joint Assy.	
	Diff. Type	Ratio		Case Assy. Kit ⁽⁷⁾	Differential		Right Hand Shaft Assy.	Left Hand Shaft Assy.
					Case Kit	Inner Parts Kit		
1979-83 Checker Cab								
603835-1	Standard	3.07	706017-1X	706020X	706024X	706027X	27360X	27360X
603835-2	Trac Lok	3.07	706017-1X	706018X	706022X	706027X	27360X	27360X
603835-3	Standard	2.72	706017-19X	706020X	706024X	706027X	27360X	27360X
603835-4	Trac Lok	2.72	706017-19X	706018X	706022X	706026X	27360X	27360X
603835-5	Trac Lok	3.54	706017-3X	706018X	706022X	706026X	27360X	27360X

- (6) See Ring Gear & Pinion Kits in XGI Catalog for ratio & tooth combinations.
- (7) See Differential Case Assy Kits in XGI Catalog for spline data & ratios.

Model 30 /181 Front Axles for Converters

Model 30 /181 Front Axles - Converters Exploded View



Model 30 /181 Front Axles - Converters

Parts Listing

ITEM NO.	PART NUMBER	DESCRIPTION	ITEM NO.	PART NUMBER	DESCRIPTION
1	— ⁽³⁾	Housing – Axle Service	32	—	Nut – Hex Slotted
2	— ⁽¹⁾	Drive Pinion & Gear Assembly	33	—	Cotter Pin
3		Slinger – Inner Pinion Bearing	34	—	Adjusting Split Ring
4	706015X	KIT – Inner Pinion Bearing	35	—	Socket Assembly – Upper
	706385X	PKG – Pinion Shim (inc. items 3, 5, 6, 9)	36	—	Nut – Hex Jam
	706377X	PKG – Differential & Pinion Shim (inc. items 4, 5, 6, 8, 22)	37	—	Socket Assembly – Lower
5	—	Shim – Drive Pinion Adjusting	38	—	Snap Ring
6	—	Baffle – Pinion Bearing	39	—	Bolt – Hex (qty 6)
7	—	Shim – Pinion Bearing Adjusting	40	—	Stop Screw
8	706030X	KIT – Outer Pinion Bearing	41	—	Jam Nut
9	—	Slinger – Outer Pinion Bearing	42	—	Knuckle Assembly
10	—	Seal – Pinion Oil	43	—	Nut - Hex Slotted
11	2-4-2281X ⁽⁵⁾	End Yoke Assembly	44	—	Cotter Pin
12	—	Washer – Pinion Nut	45	—	Tie Rod Assembly
13	—	Pinion Nut	46	—	Shaft & Joint Assembly
14	— ⁽⁵⁾	Companion Flange Assembly		5-260X	U-Joint Kit
	706348X	KIT – Carrier Cover (inc. 15,16,17,18)		706527X	KIT – Spindle Seal & Bearing (inc. items 47, 48, 49, 50, 51)
15	—	Carrier Cover		706537X	KIT – Spindle (inc. items 47, 48, 49, 50, 51, 52)
16	—	Gasket – Carrier Cover	47	—	Slinger – Spindle Yoke (pressed on if used)
17	—	Plug – Carrier Cover	48	—	Oil Seal
18	—	Bolt – Carrier Cover (qty 10)	49	—	Spacer – Wheel Bearing Spindle
19	— ⁽³⁾	Cap – Differential Bearing	50	—	Oil Seal – Block Vee
20	— ⁽³⁾	Bolt – Differential Bearing Cap	51	—	Needle Bearing Assembly
21	706016X	KIT – Differential Bearing	52	—	Wheel Bearing Spindle
22	706087X	PKG – Differential Bearing Shim	53	—	Nut – Brake Mounting
23	— ⁽¹⁾	Case – Differential	54	—	Oil Seal
24	—	Bolt – Drive Gear (qty 10)	55	—	KIT – Inner Wheel Bearing
25	—	Pinion – Differential	56	—	Wheel Hub
26	—	Gear – Differential	57	—	KIT – Outer Wheel Bearing
27	—	Thrustwasher – Differential Pinion	58	—	Lockwasher – Wheel Bearing
28	—	Thrustwasher – Differential Gear	59	—	Nut – Wheel Bearing
29	—	Shaft – Differential Pinion	60	—	Lockwasher – Wheel Bearing Nut
30	—	Lock – Differential Shaft	61	—	Gasket – Drive Flange
31	—	Seal & Guide Tube	62	—	Flange – Axle Drive
	700114	KIT – Right Hand Knuckle (32,33,34,35,36,37,38,39,40,41,42)	63	—	Snap Ring
	700116X	KIT – Left Hand Knuckle (32,33,34,35,36,37,38,39,40,41,42)	64	—	Hub Cap
	706116X	KIT – Socket (inc. 32, 33, 34, 35, 36, 37, 38)	65	—	Nut
			66	—	Lockwasher
			67	—	Stud

(1) See "Bill of Material Table"

(2) See "Variable Parts Table"

(3) Contact Vehicle Manufacturer.

(4) Not Sold Separately.

(5) See Spicer U-Joint Catalog J300P-10 for part number and additional parts.

Model 30 /181 Front Axles - Converters

Bill of Material Listing

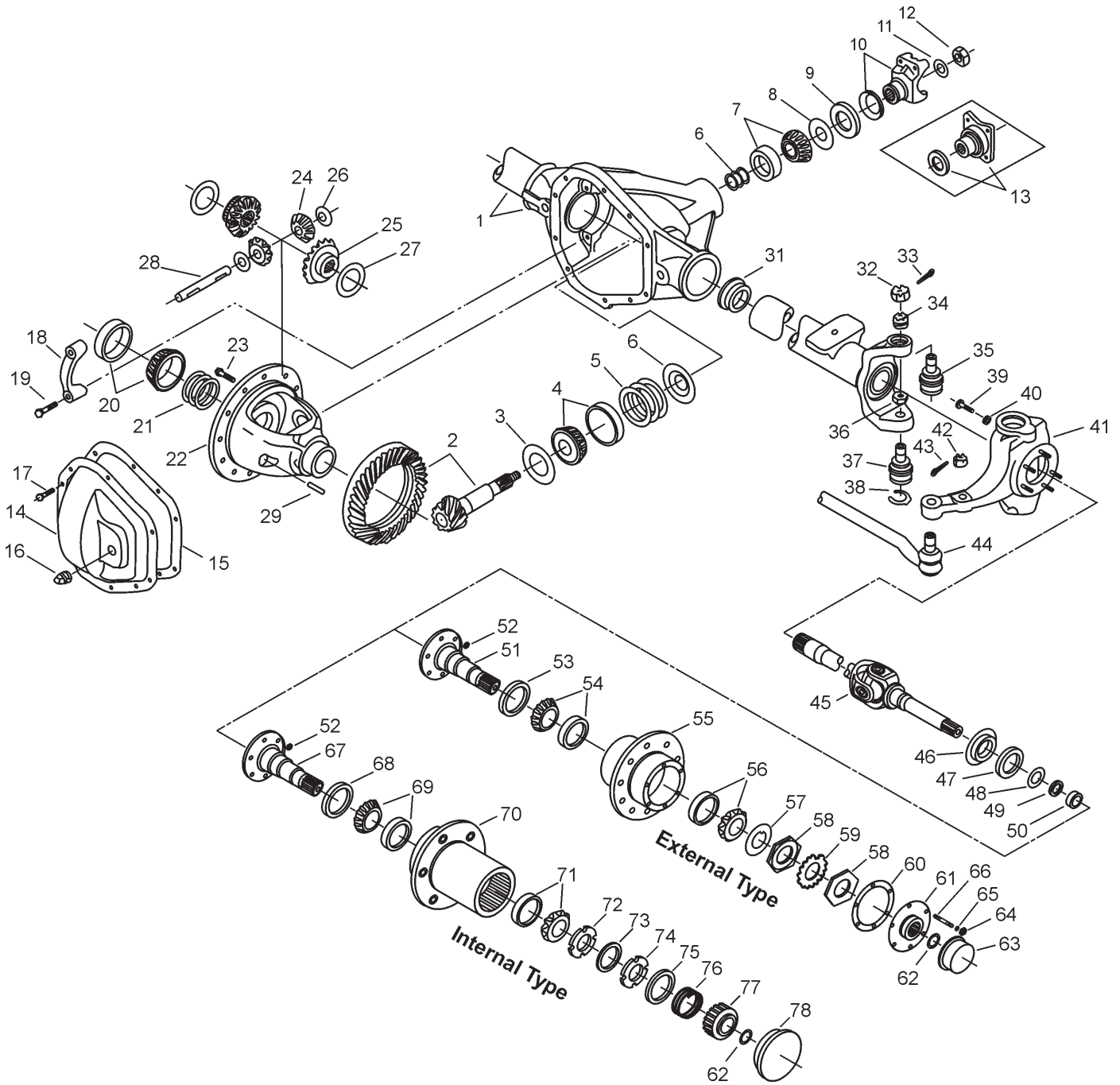
Axle			Axle Kits				Shaft & Joint Assy.	
Bill of Material	Diff. Type	Ratio	Ring Gear & Pinion Kit ⁽⁶⁾	Differential			Right Hand Shaft Assy.	Left Hand Shaft Assy.
				Case Assy. Kit ⁽⁷⁾	Case Kit	Inner Parts Kit		
1979-80 Courier, Mazda, Toyota, Datsun, Mini Pickups								
610065-1	Standard	4.10	706503-4X	706004X	706008X	706010X	28179-3X	28179-4X
610065-2	Standard	4.27	706503-8X	706004X	706008X	706010X	28179-3X	28179-4X
610065-3	Standard	3.54	706503-2X	706005X	706007X	706010X	28179-3X	28179-4X
610065-4	Standard	4.56	706503-5X	706004X	706008X	706010X	28179-3X	28179-4X
610065-5	Standard	4.10	706503-4X	706004X	706008X	706010X	28179-3X	28179-4X
610065-6	Standard	3.54	706503-2X	706005X	706007X	706010X	28179-3X	28179-4X
610065-7	Standard	3.54	706503-2X	706005X	706007X	706010X	28179-3X	28179-4X
610065-8	Standard	4.10	706503-4X	706004X	706008X	706010X	28179-3X	28179-4X
610065-9	Standard	3.31	706503-1X	706003X	706007X	706010X	28179-3X	28179-4X
610065-10	Standard	3.31	706503-1X	706003X	706007X	706010X	28179-3X	28179-4X
610065-11	Standard	3.73	706503-3X	706004X	706008X	706010X	28179-3X	28179-4X
610065-12	Standard	3.73	706503-3X	706004X	706008X	706010X	28179-3X	28179-4X
610065-13	Standard	5.38	706503-7X	706004X	706008X	706010X	28179-3X	28179-4X
610065-14	Standard	3.91	706503-13X	706004X	706008X	706010X	28179-3X	28179-4X
610065-15	Standard	3.91	706503-13X	706004X	706008X	706010X	28179-3X	28179-4X
610065-16	Standard	4.56	706503-5X	706004X	706008X	706010X	28179-3X	28179-4X

(6) See Ring Gear & Pinion Kits in XGI Catalog for ratio & tooth combinations.

(7) See Differential Case Assy Kits in XGI Catalog for spline data & ratios.

Model 44 /216 Front Axles for Converters

Model 44 /216 Front Axles - Converters Exploded View



Model 44 /216 Front Axles - Converters

Parts Listing

ITEM NO.	PART NUMBER	DESCRIPTION	ITEM NO.	PART NUMBER	DESCRIPTION
1	— ⁽³⁾	Housing – Axle Service	38	—	Snap Ring
2	— ⁽¹⁾	Drive Pinion & Gear Assembly	39	—	Stop Screw
3		Slinger – Inner Pinion Bearing	40	—	Jam Nut
4	706031X	KIT – Inner Pinion Bearing	41	—	Knuckle Assembly
	706358X	PKG – Pinion Shim (inc. items 3, 5, 6, 7, 9)	42	—	Nut - Hex Slotted
	706376X	PKG – Differential & Pinion Shim (inc. items 3, 5, 6, 7, 9, 21, 22)	43	—	Cotter Pin
5	—	Shim – Drive Pinion Adjusting	44	—	Tie Rod Assembly
6	—	Baffle – Pinion Bearing	45	—	Shaft & Joint Assembly
7	—	Shim – Pinion Bearing Adjusting		5-297X	U-Joint Kit
8	706030X	KIT – Outer Pinion Bearing		— ⁽²⁾	KIT – Spindle Seal & Bearing (inc. items 47, 48, 49, 50, 51)
9	—	Slinger – Outer Pinion Bearing		— ⁽²⁾	KIT – Spindle (inc. items 47, 48, 49, 50, 51, 52)
10	—	Seal – Pinion Oil	46	—	Slinger – Spindle Yoke (pressed on if used)
11	2-4-2281X ⁽⁵⁾	End Yoke Assembly	47	—	Oil Seal
12	—	Washer – Pinion Nut	48	—	Spacer – Wheel Bearing Spindle
13	—	Pinion Nut	49	—	Oil Seal – Block Vee
14	— ⁽⁵⁾	Companion Flange Assembly	50	—	Needle Bearing Assembly
	706112X	KIT – Carrier Cover (inc. 15,16,17,18)	51	—	Wheel Bearing Spindle
15	—	Carrier Cover	52	—	Nut – Brake Mounting
16	—	Gasket – Carrier Cover	53	—	Oil Seal
17	—	Plug – Carrier Cover	54	— ⁽²⁾	KIT – Inner Wheel Bearing
18	—	Bolt – Carrier Cover (qty 10)	55	—	Wheel Hub
19	— ⁽³⁾	Cap – Differential Bearing	56	— ⁽²⁾	KIT – Outer Wheel Bearing
20	— ⁽³⁾	Bolt – Differential Bearing Cap	57	—	Lockwasher – Wheel Bearing
21	706032X	KIT – Differential Bearing	58	—	Nut – Wheel Bearing
22	706086X	PKG – Differential Bearing Shim	59	—	Lockwasher – Wheel Bearing Nut
23	— ⁽¹⁾	Case – Differential	60	—	Gasket – Drive Flange
24	—	Bolt – Drive Gear (qty 10)	61	—	Flange – Axle Drive
25	—	Pinion – Differential	62	—	Snap Ring
26	—	Gear – Differential	63	—	Hub Cap
27	—	Thrustwasher – Differential Pinion	64	—	Nut
28	—	Thrustwasher – Differential Gear	65	—	Lockwasher
29	—	Shaft – Differential Pinion	66	—	Stud
30	—	Lock – Differential Shaft	67	—	Wheel Bearing Spindle
31	—	Seal & Guide Tube	68	—	Oil Seal
	— ⁽³⁾	KIT – Right Hand Knuckle (32,33,34,35,36,37,38,39,40,41,42)	69	—	KIT – Inner Wheel Bearing
	— ⁽³⁾	KIT – Left Hand Knuckle (32,33,34,35,36,37,38,39,40,41,42)	70	—	Wheel Hub
	706116X	KIT – Socket (inc. 32, 33, 34, 35, 36, 37, 38)	71	—	KIT – Outer Wheel Bearing
32	—	Nut – Hex Slotted	72	—	Nut & Pin Assembly
33	—	Cotter Pin	73	—	Lock – Retaining Nut
34	—	Adjusting Split Ring	74	—	Nut – Wheel Bearing Adjusting
35	—	Socket Assembly – Upper	75	—	Plate – Spring Retaining
36	—	Nut – Hex Jam	76	—	Spring – Pressure
37	—	Socket Assembly – Lower	77	—	Gear – Axle Drive
			78	—	Hub Cap
				— ⁽²⁾	Wheel End Kits

(1) See "Bill of Material Table"

(2) See "Variable Parts Table"

(3) Contact Vehicle Manufacturer.

(4) Not Sold Separately.

(5) See Spicer U-Joint Catalog J300P-10 for part number and additional parts.

Model 44 /216 Front Axles - Converters

Bill of Material Listing

Axle			Axle Kits				Shaft & Joint Assy.	
Bill of Material	Diff. Type	Ratio	Ring Gear & Pinion Kit ⁽⁶⁾	Differential			Right Hand Shaft Assy.	Left Hand Shaft Assy.
				Case Assy. Kit ⁽⁷⁾	Case Kit	Inner Parts Kit		
1979-80 G-10 Van								
604300-1	Standard	3.31	706017-2X	706020X	706024X	706026X	29833-12X	29833-11X
604300-2	Standard	4.09	706017-5X	706021X	706025X	706027X	29833-18X	29833-19X
604300-3	Standard	3.73	706017-4X	706020X	706024X	706027X	29833-18X	29833-19X
604300-4	Standard	4.55	706017-6X	706021X	706025X	706027X	29833-12X	29833-11X
604300-5	Standard	5.89	706017-9X	706021X	706025X	706027X	660091-12	660091-11
604300-6	Standard	5.89	706017-9X	706021X	706025X	706027X	660091-12	660091-11
604300-7	Standard	4.55	706017-6X	706021X	706025X	706027X	29833-12X	29833-11X
1979-80 G-20 Van								
604306-1	Standard	3.31	706017-2X	706020X	706024X	706027X	29833-12X	29833-11X
604306-2	Standard	3.73	706017-4X	706020X	706024X	706027X	29833-12X	29833-11X
604306-3	Standard	3.23	706017-16X	706020X	706024X	706027X	29833-12X	29833-11X
604306-4	Standard	4.09	706017-5X	706021X	706025X	706027X	29833-12X	29833-11X
604306-5	Standard	3.54	706017-3X	706020X	706024X	706027X	29833-12X	29833-11X
604306-6	Standard	4.09	706017-5X	706021X	706025X	706027X	29833-12X	29833-11X
1979-80 G-20, G-30 Van								
604303-1	Standard	4.09	706017-5X	706021X	706025X	706027X	660091-11	660091-12
604303-2	Standard	4.09	706017-5X	706021X	706025X	706027X	660091-11	660091-12
604303-3	Standard	3.31	706017-2X	706020X	706024X	706027X	29833-12X	29833-11X
604303-4	Standard	3.73	706017-4X	706020X	706024X	706027X	660091-11	660091-12
604303-5	Standard	3.23	706017-16X	706020X	706024X	706027X	29833-12X	29833-11X
604303-6	Standard	4.09	706017-5X	706021X	706025X	706027X	660091-11	660091-12
604303-7	Standard	4.09	706017-5X	706021X	706025X	706027X	660091-11	660091-12
604303-8	Standard	4.09	706017-5X	706021X	706025X	706027X	660091-11	660091-12
604303-9	Standard	3.73	706017-4X	706020X	706024X	706027X	660091-11	660091-12
604303-10	Standard	4.09	706017-5X	706021X	706025X	706027X	660091-11	660091-12
604303-11	Standard	5.89	706017-9X	706021X	706025X	706027X	660091-11	660091-12
604303-12	Standard	3.73	706017-4X	706020X	706024X	706027X	660091-11	660091-12
604303-13	Standard	3.54	706017-3X	706020X	706024X	706027X	660091-11	660091-12
1979-80 B-100 Van								
604301-1	Standard	3.23	706017-16X	706020X	706024X	??	28478-5X	28478-6X
604301-2	Standard	3.23	706017-16X	706020X	706024X	??	28478-5X	28478-6X
604301-3	Standard	3.43	700040-7	706020X	706024X	??	28478-5X	28478-6X
604301-4	Standard	3.07	706017-1X	706020X	706024X	??	28478-5X	28478-6X
604301-5	Standard	2.72	706017-19X	706020X	706024X	??	28478-5X	28478-6X
1979-80 E-150 Van								
604302-1	Standard	3.54	706017-3X	706020X	706024X	706027X	660124-5	660124-6
604302-2	Standard	3.54	706017-3X	706020X	706024X	706027X	660124-5	660124-6
604302-3	Standard	3.23	706017-16X	706020X	706024X	706027X	004SF100-6X	004SF100-7X
604302-4	Standard	3.31	706017-2X	706020X	706024X	706027X	660124-5	660124-6
604302-5	Standard	3.73	706017-4X	706020X	706024X	706027X	660124-5	660124-6
604302-6	Standard	3.23	706017-16X	706020X	706024X	706027X	004SF100-6X	004SF100-7X
604302-7	Standard	2.72	706017-19X	706020X	706024X	706027X	660124-5	660124-6
604302-8	Standard	3.31	706017-2X	706020X	706024X	706027X	660124-5	660124-6
604302-9	Standard	3.54	706017-3X	706020X	706024X	706027X	660124-5	660124-6
604302-10	Standard	3.73	706017-4X	706020X	706024X	706027X	660124-5	660124-6
604302-11	Standard	3.54	706017-3X	706020X	706024X	706027X	660124-5	660124-6

(6) See Ring Gear & Pinion Kits in XGI Catalog for ratio & tooth combinations.

(7) See Differential Case Assy Kits in XGI Catalog for spline data & ratios.

Model 44 /216 Front Axles - Converters

Bill of Material Listing

Axle			Axle Kits				Shaft & Joint Assy.	
Bill of Material	Diff. Type	Ratio	Ring Gear & Pinion Kit ⁽⁶⁾	Differential			Right Hand Shaft Assy.	Left Hand Shaft Assy.
				Case Assy. Kit ⁽⁷⁾	Case Kit	Inner Parts Kit		
1979-80 B-200 Van								
604304-2	Standard	4.09	706017-5X	706021X	706025X	706027X	28478-5X	28478-6X
604304-3	Standard	4.09	706017-5X	706021X	706025X	706027X	28478-5X	28478-6X
604304-4	Standard	3.54	706017-3X	706020X	706024X	706027X	28478-5X	28478-6X
604304-5	Standard	3.54	706017-3X	706020X	706024X	706027X	28478-5X	28478-6X
604304-6	Standard	4.09	706017-5X	706021X	706025X	706027X	28478-5X	28478-6X
1979-80 E-250, E-350 Van								
604305-1	Standard	4.09	706017-2X	706020X	706024X	706027X	044SF100-6X	044SF100-7X
604305-2	Standard	3.54	706040-2	706020X	706024X	706027X	660124-5	660124-6
604305-3	Standard	3.31	706017-2X	706020X	706024X	706027X	044SF100-6X	044SF100-7X
604305-4	Standard	4.09	706017-2X	706020X	706024X	706027X	044SF100-6X	044SF100-7X
604305-5	Standard	3.73	706017-4X	706020X	706024X	706027X	660124-5	660124-6
604305-6	Standard	3.73	706017-4X	706020X	706024X	706027X	660124-5	660124-6
604305-7	Standard	3.73	706017-4X	706020X	706024X	706027X	660124-5	660124-6
604305-8	Standard	3.54	706040-2	706020X	706024X	706027X	660124-5	660124-6
604305-9	Standard	3.54	706040-2	706020X	706024X	706027X	660124-5	660124-6
604305-10	Standard	3.54	706040-2	706020X	706024X	706027X	660124-5	660124-6
604305-11	Standard	3.31	706017-2X	706020X	706024X	706027X	044SF100-6X	044SF100-7X
604305-12	Standard	4.09	706017-2X	706020X	706024X	706027X	044SF100-6X	044SF100-7X
604305-13	Standard	3.73	706017-4X	706020X	706024X	706027X	660124-5	660124-6
604305-14	Standard	3.54	706040-2	706020X	706024X	706027X	660124-5	660124-6
604305-15	Standard	3.31	706017-2X	706020X	706024X	706027X	044SF100-6X	044SF100-7X
604305-16	Standard	4.09	706017-2X	706020X	706024X	706027X	044SF100-6X	044SF100-7X
604305-17	Standard	2.94	700025-7	706020X	706024X	706027X	044SF100-6X	044SF100-7X
604305-18	Standard	4.09	706017-2X	706020X	706024X	706027X	044SF100-6X	044SF100-7X
604305-19	Standard	3.73	706017-4X	706020X	706024X	706027X	660124-5	660124-6
604305-20	Standard	3.54	706040-2	706020X	706024X	706027X	660124-5	660124-6

(6) See Ring Gear & Pinion Kits in XGI Catalog for ratio & tooth combinations.

(7) See Differential Case Assy Kits in XGI Catalog for spline data & ratios.

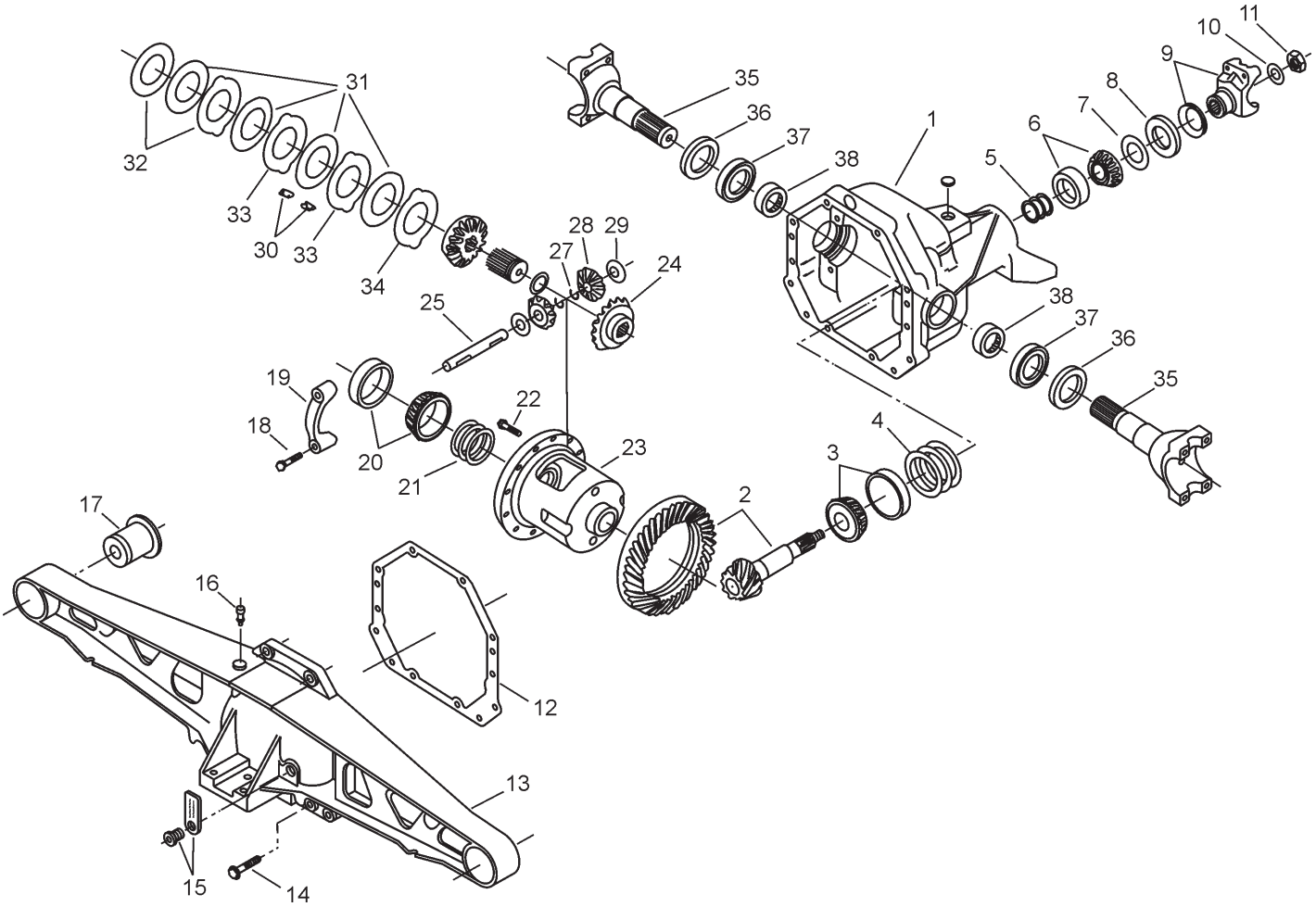
Model 44 /216 Front Axles - Converters

Variable Parts Listing

Kits & Parts - Use With All Applications							
Description & Item Number (Refer to "Exploded View")			Bills of Material				
			604300	604301	604302	604303	604304
1	KIT – Spindle Seal & Bearing	-	706527X	—	706527X	706527X	—
2	KIT – Spindle	-	706570X	—	706552X	706570X	—
3	KIT – Inner Wheel Bearing	54	706690X	—	706110X	706074X	—
4	KIT – Outer Wheel Bearing	56	706111X	—	706111X	706111X	—
5	Wheel End Kit	-	—	706555X	—	—	706555X
6	Wheel End Kit	-	—	706554X	—	—	706554X
			604305	604306			
1	KIT – Spindle Seal & Bearing	-	706527X	706527X			
2	KIT – Spindle	-	700003	706570X			
3	KIT – Inner Wheel Bearing	54	706074X	706074X			
4	KIT – Outer Wheel Bearing	56	706111X	706111X			
5	Wheel End Kit	-	—	—			
6	Wheel End Kit	-	—	—			

Model 44 /216 ICA Rear Axles for Excalibur Automobile Corporation

Model 44 /216 ICA Rear Axles Exploded View



Bill of Material Listing

Axle			Axle Kits				Shaft & Joint Assy.	
Bill of Material	Diff. Type	Ratio	Ring Gear & Pinion Kit	Differential			Right Hand Shaft Assy.	Left Hand Shaft Assy.
				Case Assy. Kit (7)	Case Kit	Inner Parts Kit		
1980-85 Excalibur								
605021-1	Trac Lok	2.72	706800-1X	706801X	706802X	706803X	71090-2X	71090-1X
605021-2	Trac Lok	3.07	706800-2X	706801X	706802X	706803X	71090-2X	71090-1X
1985 Excalibur								
605259-1	Trac Lok	3.31	706017-1X	706018X	706022X	706026X		
605259-2	Trac Lok	3.73	706017-4X	706018X	706022X	706026X		

(6) See Ring Gear & Pinion Kits in XGI Catalog for ratio & tooth combinations.

(7) See Differential Case Assy Kits in XGI Catalog for spline data & ratios.

Model 44 /216 ICA Rear Axles Parts Listing

ITEM NO.	PART NUMBER	DESCRIPTION	ITEM NO.	PART NUMBER	DESCRIPTION
1	— ⁽³⁾	Carrier	19	— ⁽³⁾	Cap – Differential Bearing
2	— ⁽¹⁾	Drive Pinion & Gear Assembly	20	— ⁽²⁾	KIT – Differential Bearing
3	— ⁽²⁾	KIT – Inner Pinion Bearing	21	— ⁽²⁾	PKG – Differential Bearing Shim
	— ⁽²⁾	PKG – Pinion Shim (inc. items 4, 5, 7)	22	—	Bolt – Drive Gear (qty 10)
	— ⁽²⁾	PKG – Differential & Pinion Shim (inc. items 4, 5, 7, 21)	23	— ⁽¹⁾	Case – Differential
4	—	Shim – Pinion Adjusting	24	—	Gear – Differential
5	—	Shim – Pinion Bearing Preload	25	—	Shaft – Differential Pinion
6	— ⁽²⁾	Bearing – Outer Pinion Preload	26	—	Snap Ring
7	—	Slinger – Outer Pinion Bearing	27	—	Snap Ring
8	—	Seal – Pinion Oil	28	—	Pinion – Differential
9	— ⁽²⁾	End Yoke Assembly	29	—	Thrustwasher – Differential Pinion
10	—	Washer – Pinion Nut	30	—	Clip – Differential Clutch Retainer
11	—	Pinion Nut	31	—	Disc – Differential
	— ⁽²⁾	KIT – Carrier Cover	32	—	Plate – Differential
12	—	Gasket – Carrier Cover	33	—	Plate – Differential
13	—	Arm – Carrier Cover Support	34	—	Spacer – Dished
14	—	Screw – Carrier Cover	35	—	Shaft – Inner Yoke
15	—	Plug – Carrier Cover (w/tag)	36	—	Shield – Stone
16	—	Breather Vent	37	—	Oil Seal
17	—	Bushing – Carrier Cover Support	38	—	Bearing – Inner Yoke Shaft
18	— ⁽³⁾	Screw – Differential Bearing Cap			

(1) See "Bill of Material Table"

(2) See "Variable Parts Table"

(3) Contact Vehicle Manufacturer.

(4) Not Sold Separately.

(5) See Spicer U-Joint Catalog J300P-10 for part number and additional parts.

Variable Parts Listing

Kits & Parts - Use With All Applications							
Description & Item Number (Refer to "Exploded View")				Bills of Material			
				605024	605259		
1	KIT – Inner Pinion Bearing	3	706015X	706031X			
2	PKG – Pinion Shim	-	706804X	706617X			
3	PKG – Differential & Pinion Shim	-	706806X	706619X			
4	Bearing – Outer Pinion Preload	6	706014X	706030X			
5	End Yoke Assembly	9	2-4-2281X	3-4-5721			
6	KIT – Carrier Cover	-	—	706154X			
7	KIT – Differential Bearing	20	706110X	706032X			
8	PKG – Differential Bearing Shim	21	706806X	706619X			



Dana Corporation
Heavy Vehicle Technologies and
Systems Service
PO Box 321
Toledo, Ohio 43697-0321
1-800-SAY-DANA (729-3262)
www.dana.com
www.spicerparts.com
www2.dana.com/expert

Dana Corporation
Heavy Vehicle Technologies and
Systems Service - Canada
5095 South Service Road
Beamsville, Ontario LOR 1B0
Tech Service: (905) 563-4991

Dana Corporation
Heavy Vehicle Technologies and
Systems Service - International
(419) 861-6325

